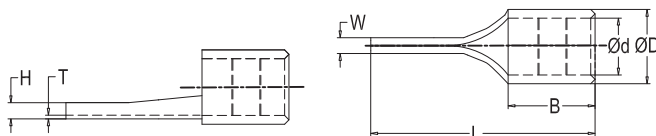


## RCCN 日成KS裸端子 Non-Insulated KS Terminals



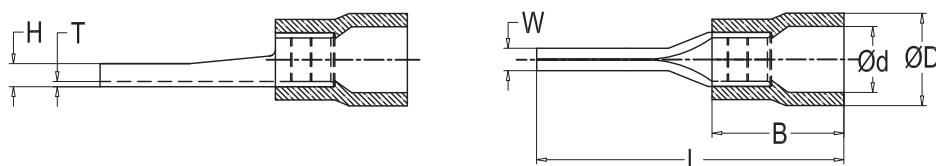
| 型号<br>Item No. | 尺寸 DIMENSION |      |      |      |      |     |     |
|----------------|--------------|------|------|------|------|-----|-----|
|                | L            | B    | W    | d    | D    | H   | T   |
| KS10-12        | 22.0         | 8.0  | 4.3  | 4.5  | 6.9  | 2.4 | 1.1 |
| KS16-13        | 26.0         | 10.0 | 5.5  | 5.9  | 8.4  | 2.6 | 1.2 |
| KS25-15        | 33.5         | 13.5 | 6.8  | 7.0  | 9.5  | 2.6 | 1.2 |
| KS35-20        | 40.5         | 16.0 | 8.0  | 8.7  | 11.8 | 3.2 | 1.5 |
| KS50-20        | 45.0         | 19.0 | 9.5  | 9.8  | 13.6 | 3.8 | 1.8 |
| KS70-25        | 55.0         | 24.0 | 11.0 | 11.6 | 15.8 | 4.2 | 2.0 |
| KS95-25        | 55.0         | 24.0 | 12.5 | 13.7 | 18.9 | 5.2 | 2.5 |
| KS120-34       | 62.0         | 26.0 | 14.3 | 15.1 | 21.3 | 6.2 | 3.0 |



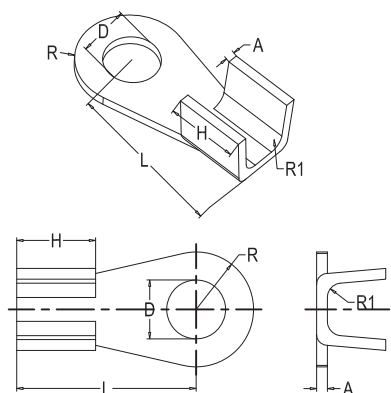
## RCCN 日成KSN绝缘端子 KSN Insulated Terminals



| 型号<br>Item No. | 尺寸 DIMENSION |      |      |      |      |     |     |
|----------------|--------------|------|------|------|------|-----|-----|
|                | D            | d    | B    | L    | W    | H   | T   |
| KS10-12N       | 9.0          | 4.5  | 15.5 | 29.5 | 4.3  | 2.4 | 1.1 |
| KS16-13N       | 10.5         | 5.9  | 19.0 | 35.0 | 5.5  | 2.6 | 1.2 |
| KS25-15N       | 11.5         | 7.0  | 24.5 | 44.5 | 6.8  | 2.6 | 1.2 |
| KS35-20N       | 14.0         | 8.7  | 29.5 | 54.0 | 8.0  | 3.2 | 1.5 |
| KS50-20N       | 15.8         | 9.8  | 35.0 | 61.0 | 9.5  | 3.8 | 1.8 |
| KS70-25N       | 18.0         | 11.6 | 44.0 | 75.0 | 11.0 | 4.2 | 2.0 |
| KS95-25N       | 21.6         | 13.7 | 44.0 | 75.0 | 12.5 | 5.2 | 2.5 |



## RCCN 日成OT圆形开口铜端子 OT Cable Lugs High Voltage



| 型号<br>Item No. | 尺寸 DIMENSION |      |      |      |      |     |
|----------------|--------------|------|------|------|------|-----|
|                | D            | H    | L    | R    | R1   | A   |
| OT10A-5        | 5.2          | 6.0  | 14.5 | 4.5  | 2    | 0.8 |
| OT20A-6        | 6.2          | 7.0  | 17   | 5.5  | 2.5  | 1   |
| OT30A-6        | 6.2          | 8.2  | 19   | 5.8  | 3.2  | 1.2 |
| OT40A-6        | 6.2          | 9.0  | 19.5 | 6.2  | 3.5  | 1.2 |
| OT50A-6        | 6.2          | 9.0  | 21.5 | 6.5  | 3.5  | 1.2 |
| OT60A-8        | 8.2          | 10   | 23   | 7    | 4    | 1.4 |
| OT80A-8        | 8.2          | 11   | 25   | 8    | 4.5  | 1.5 |
| OT100A-8       | 8.2          | 12   | 29   | 8.5  | 5    | 1.5 |
| OT150A-10      | 10.2         | 12   | 31   | 9    | 5.5  | 1.6 |
| OT200A-10      | 10.2         | 14   | 33   | 10   | 6    | 1.7 |
| OT250A-10      | 10.2         | 15.5 | 36   | 10.5 | 6.5  | 2   |
| OT300A-12      | 12.2         | 16   | 40   | 11.5 | 7    | 2   |
| OT400A-12      | 12.2         | 18   | 43   | 13   | 8    | 2.2 |
| OT500A-14      | 14.2         | 20   | 46   | 14.5 | 8.5  | 2.4 |
| OT600A-16      | 16.2         | 22   | 50.5 | 16   | 9.5  | 2.8 |
| OT800A-18      | 18.2         | 26   | 61   | 17.5 | 12.5 | 3.2 |
| OT1000A-18     | 18.2         | 33   | 66   | 20.5 | 15.5 | 3.8 |